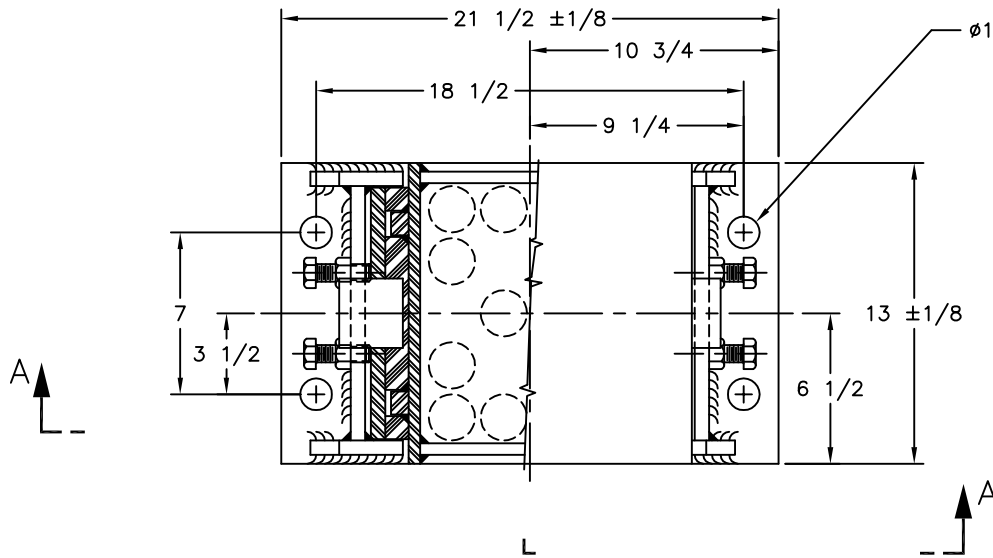


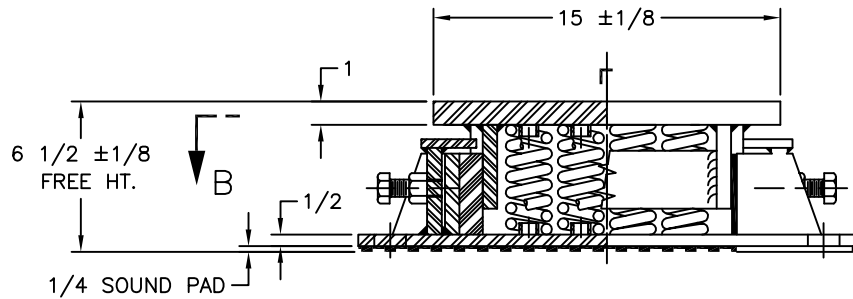
REV.	DESCRIPTION	DATE	BY



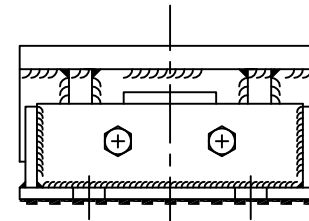
PART NUMBER	ISOLATOR MODEL	MAX. STEADY (LBS)	MAX. IMPACT (LBS)	ISOLATOR CONSTANT (LBS)	COLOR CODE
607354-1	SOP-7514	26,700	29,000	40,400	PINK

- NOTES:
1. ALL DIMENSIONS ARE INCHES INTERRUPT PER ANSYI.Y 14.
  2. TAPPED HOLES IN ISOLATOR TOP PLATE CAN BE PROVIDED TO SUIT CONDITIONS..
  3. STANDARD FINISH: CONTACT VMC FOR ADDITIONAL AVAILABILITY.  
A. STEEL WELDMENTS: STANDARD VMC COLOR  
B. SPRING: POWDER COATED  
C. HARDWARE: ELECTRO-ZINC PLATED
  4. AN APPROVED LOAD DISTRIBUTION PLATE IS REQUIRED IF THE EQUIPMENT BASE IS NARROWER THAN 15".
  5. ESTIMATED NET WEIGHT: 220 LBS.



PLAN SECTION "B-B"



ELEVATION SECTION "A-A"



OTHER MATERIALS, COMPOUNDS, OR FINISHES WITH EQUAL OR SUPERIOR PROPERTIES MAY BE SUBSTITUTED AS THEY BECOME AVAILABLE.

<b>CERTIFIED FOR:</b> JOB NAME: _____ CUSTOMER : _____ CUSTOMER P.O.: _____ SALES ORDER: _____	<b>MODEL SOP 26,700 LBS.                  SPRING ISOLATOR                  WITH ADJUSTABLE SNUBBER</b>	 <b>THE VMC GROUP</b> <i>The Power of Together</i> Bloomingdale, NJ 07403 Houston, TX 77041	SCALE : NONE	
			SHEET:	